

4

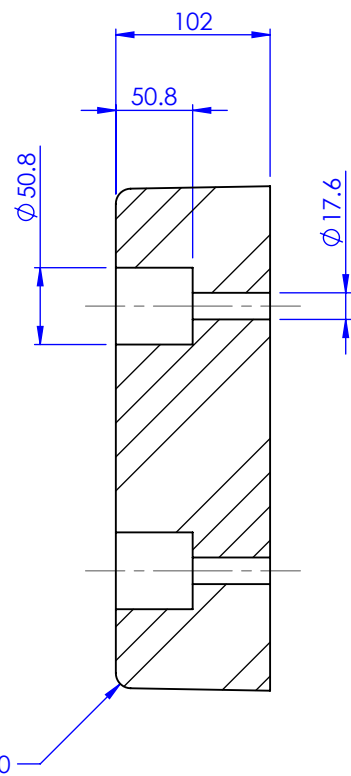
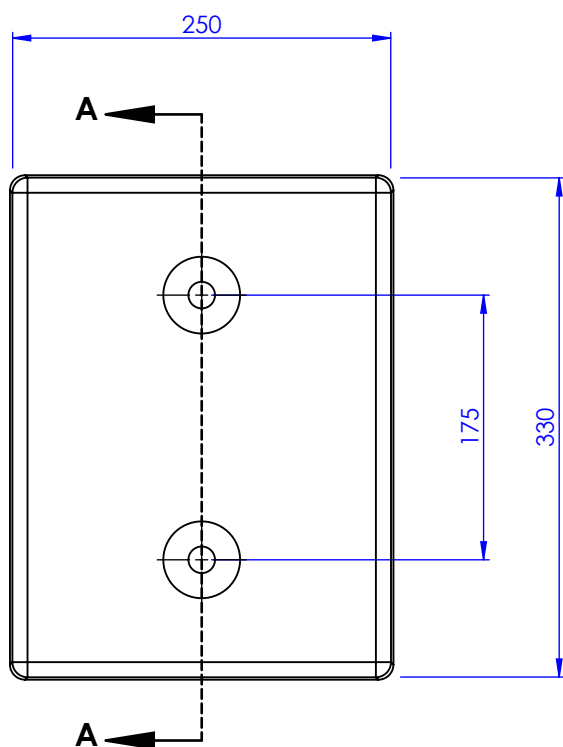
3

2

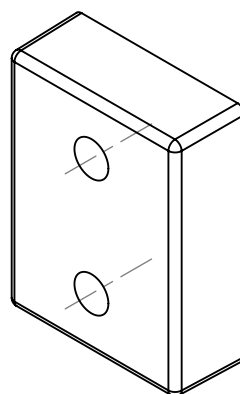
1

F

F



**SECTION A-A**



C

C

B

B

**SPECIFICATIONS:**

CAUCHO 102 mm - 330 X 250

DUREZA: 80 SHORE

COLOR: NEGRO

A

A

3RD ANGLE PROJECTION		UNLESS OTHERWISE SPECIFIED:		DO NOT SCALE DRAWING	REVISION 01
		DIMENSIONS ARE IN MILLIMETERS			
NAME	DATE	STANDARD TOLERANCES		DESCRIPTION	
DRAWN OLOPEZ	5/26/2021	X = ± 0.5		BOMPER DE CAUCHO	
CHK'D	5/26/2021	.X = ± 0.1		DRAWING NUMBER	
APPV'D		.XX = ± 0.05		0006276-SM	
MFG		ANGLE = ± 1		MATERIAL:	
Q.A		ASSEMBLY DRAWING		Rubber	
<small>*SURFACE FINISH TO BE: 250Ra OR N9 UNLESS OTHERWISE SPECIFIED          *DRAWINGS TO BE INTERPRETED PER:          ASME Y14.100 - 2013 ENGINEERING DRAWING PRACTICES          ASME Y14.5 - 2009 DIMENSIONING AND TOLERANCING          *DEBURR AND BREAK SHARP EDGES</small>		SCALE:1:5		NONE	
				WEIGHT: 8.26 Kg	
				SHEET 1 OF 1	

4

3

2

1