



CPD15/20/30/35L1

Electric Counterbalance Forklift

Truck 1.5/2.0/3.0/3.5T **L-ION** TECHNOLOGY

- High efficiency with high performance;
- Waterproof design suitable for various of weather;
- Standard Lithium battery, fast charging and convenient using;
- High comfort for operation with larger cab;

EP EQUIPMENT CO.,LTD
www.ep-ep.com

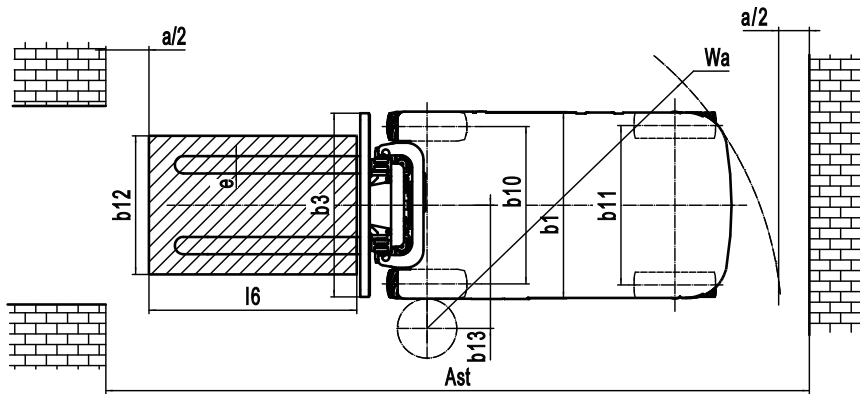
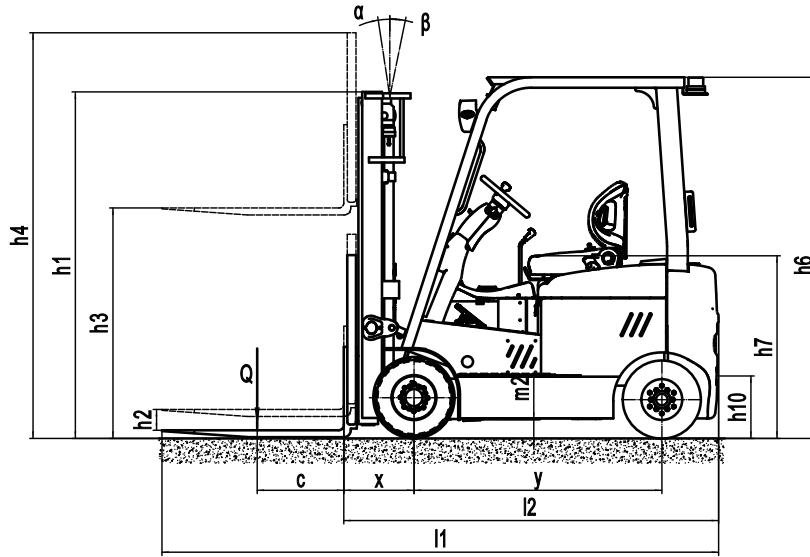


Electric Counterbalance Forklift Truck 1.5/2.0T

CPD15/20L1

| Distinguishing mark | | | | | |
|---------------------|---|---------------------------------|--------|-----------------|-----------------|
| 1.1 | Manufacturer | | | EP | EP |
| 1.2 | Model designation | | | CPD15L1 | CPD20L1 |
| 1.3 | Drive unit | | | Electrics | Electrics |
| 1.4 | Operator type | | | seated | seated |
| 1.5 | rated capacity | Q | t | 1.5 | 2 |
| 1.6 | Load center distance | c | mm | 500 | 500 |
| 1.8 | Load distance, centre of drive axle to fork | x | mm | 405 | 405 |
| 1.9 | Wheelbase | y | mm | 1470 | 1470 |
| Weight | | | | | |
| 2.1 | Service weight (include battery) | | kg | 2640 | 2950 |
| 2.2 | Axle loading, laden driving wheels /steering wheels | | kg | 3615/525 | 4380/570 |
| 2.3 | Axle loading, unladen driving wheels /steering wheels | | kg | 1190/1450 | 1155/1795 |
| Types, Chassis | | | | | |
| 3.1 | Tyre type, driving wheels /steering wheels | | | solid rubber | solid rubber |
| 3.2 | Tyre size, driving wheels | | | 18X7-8 | 18X7-8 |
| 3.3 | Tyre size, steering wheels | | | 5.00-8 | 5.00-8 |
| 3.5 | Wheels, number driving/steering (x=drive wheels) | | mm | 2x/ 2 | 2x/ 2 |
| 3.6 | Tread, Driving wheels | b ₁₀ | mm | 910 | 910 |
| 3.7 | Tread, Steering wheels | b ₁₁ | mm | 920 | 920 |
| Dimensions | | | | | |
| 4.1 | Tilt of mast/fork carriage forward/backward | α / β (°) | | 6/ 11 | 6/ 11 |
| 4.2 | Height, mast lowered | h ₁ | mm | 2080 | 2080 |
| 4.3 | Free lift (load backrest) | h ₂ | mm | 105 | 105 |
| 4.4 | Lift height | h ₃ | mm | 3000 | 3000 |
| 4.5 | Height, mast extended | h ₄ | mm | 4028 | 4028 |
| 4.7 | Height of overhead guard (cabin) | h ₆ | mm | 2080 | 2080 |
| 4.8 | Seat height | h ₇ | mm | 1050 | 1050 |
| 4.12 | Tow center of pin height | h ₁₀ | mm | 360 | 360 |
| 4.19 | Overall length | l ₁ | mm | 3270 | 3270 |
| 4.20 | Length to face of forks | l ₂ | mm | 2200 | 2200 |
| 4.21 | Overall width | b ₁ / b ₂ | mm | 1080 | 1080 |
| 4.22 | Fork dimensions | s/ e/ l | mm | 40×100×1070 | 40×122×1070 |
| 4.23 | Fork carriage class/type A, B | | | 2A | 2A |
| 4.24 | Fork carriage width | b ₃ | mm | 1040 | 1040 |
| 4.31 | Ground clearance, laden, below mast | m ₁ | mm | 110 | 110 |
| 4.32 | The minimum ground clearance of frame | m ₂ | mm | 105 | 105 |
| 4.34.1 | Aisle width for pallets 1000 × 1200 crossways | Ast | mm | 3685 | 3685 |
| 4.34.2 | Aisle width for pallets 800 × 1200 lengthways | Ast | mm | 3885 | 3885 |
| 4.35 | Turning radius | Wa | mm | 2080 | 2080 |
| Performance data | | | | | |
| 5.1 | Travel speed, laden/ unladen | | km/ h | 10.5/14 | 10.5/14 |
| 5.2 | Lifting speed, laden/ unladen | | m/ s | 0.28/ 0.42 | 0.28/ 0.42 |
| 5.3 | Lowering speed, laden/ unladen | | m/ s | 0.42/ 0.45 | 0.43/ 0.45 |
| 5.5 | Drawbar pull, laden/unladen | | N | — | — |
| 5.6 | Max. drawbar pull, laden/unladen (time) | | N | — | 10000 |
| 5.7 | Gradeability, laden/unladen | | % | — | — |
| 5.8 | Max. gradeability, laden/unladen | | % | 10.5/14 | 10.5/14 |
| 5.10 | Service brake type | | | Electromagnetic | Electromagnetic |
| | park brake type | | | Electromagnetic | Electromagnetic |
| Electric-engine | | | | | |
| 6.1 | Drive motor rating S2 60 min | | kW | 6 | 6 |
| 6.2 | Lift motor rating at S3 15% | | kW | 7.5 | 7.5 |
| 6.3 | The maximum allowed size battery | | mm | 956X296X640 | 956X296X640 |
| 6.4 | Battery voltage/nominal capacity K5 | | V/AH | 48V360AH | 48V360AH |
| 6.5 | Battery weight | | kg | 260 | 260 |
| Addition data | | | | | |
| 8.1 | Type of drive unit | | | AC | AC |
| 10.5 | Steering type | | | — | — |
| 10.7 | Sound pressure level at the driver's ear | | dB (A) | — | — |

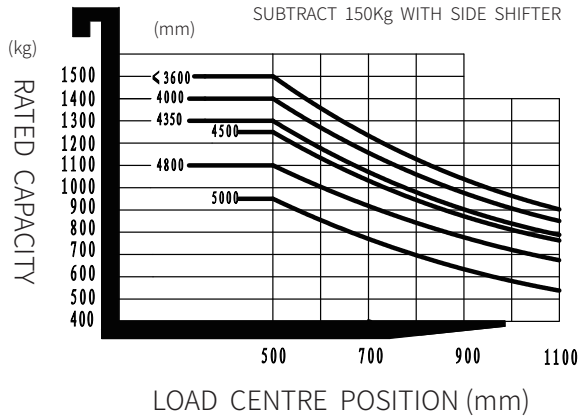
If there are improvements of technical parameters or configurations, no further notice will be given.
The diagram shown may contain non-standard configurations.



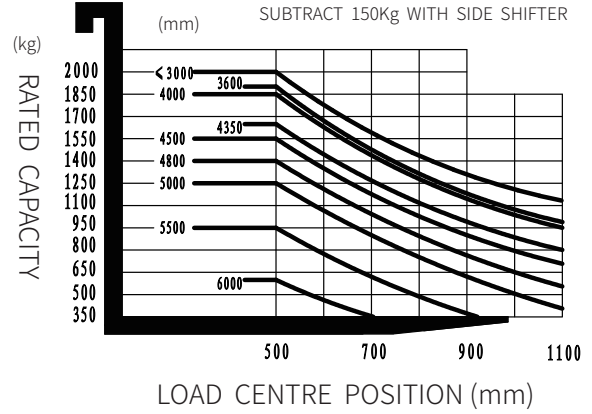
Mast Option

| Type | Model | Max. fork height h3 | Overall height | | | Free lift | | Front Overhang X | Tilt range | | Capacity | |
|------------|-------|------------------------|----------------|---------------------|---------------------|---------------------|------------------------|---------------------|------------|-------|-------------------------|------|
| | | | Lowered h1 | Extended | | Without backrest | With backrest h2 | | FWD α | BWD β | Load capacity at 500 mm | |
| | | | | Without backrest | With backrest h4 | | | | | | Single tire | |
| | | | | | | | | | | | 1.5t | 2t |
| mm | mm | mm | mm | mm | mm | Deg | Deg | kg | kg | | | |
| Duplex ZT | 2W200 | 2000 | 1490 | 2485 | 3028 | 105 | 105 | 405 | 6 | 11 | 1500 | 2000 |
| | 2W250 | 2500 | 1740 | 2985 | 3528 | 105 | 105 | 405 | 6 | 11 | 1500 | 2000 |
| | 2W270 | 2700 | 1840 | 3185 | 3728 | 105 | 105 | 405 | 6 | 11 | 1500 | 2000 |
| | 2W300 | 3000 | 1990 | 3485 | 4028 | 105 | 105 | 405 | 6 | 11 | 1500 | 2000 |
| | 2W330 | 3300 | 2140 | 3785 | 4328 | 105 | 105 | 405 | 6 | 11 | 1500 | 1960 |
| | 2W350 | 3500 | 2240 | 3985 | 4528 | 105 | 105 | 405 | 6 | 11 | 1500 | 1920 |
| | 2W360 | 3600 | 2290 | 4085 | 4628 | 105 | 105 | 405 | 6 | 11 | 1500 | 1900 |
| 2W400 | 4000 | 2540 | 4485 | 5028 | 105 | 105 | 405 | 6 | 11 | 1400 | 1850 | |
| Duplex ZF | 2F250 | 2500 | 1773 | 2985 | 3528 | 1288 | 745 | 405 | 6 | 11 | 1500 | 2000 |
| | 2F270 | 2700 | 1873 | 3185 | 3728 | 1388 | 845 | 405 | 6 | 11 | 1500 | 2000 |
| | 2F300 | 3000 | 2023 | 3485 | 4028 | 1538 | 995 | 405 | 6 | 11 | 1500 | 2000 |
| | 2F330 | 3300 | 2173 | 3785 | 4328 | 1688 | 1145 | 405 | 6 | 11 | 1500 | 1960 |
| | 2F360 | 3600 | 2323 | 4085 | 4628 | 1838 | 1295 | 405 | 6 | 11 | 1500 | 1900 |
| | 2F400 | 4000 | 2523 | 4485 | 5028 | 2038 | 1495 | 405 | 6 | 11 | 1400 | 1850 |
| Triplex DZ | 3F435 | 4350 | 1995 | 4844 | 5378 | 1501 | 967 | 415 | 6 | 6 | 1300 | 1650 |
| | 3F450 | 4500 | 2045 | 4994 | 5528 | 1551 | 1017 | 415 | 6 | 6 | 1250 | 1550 |
| | 3F480 | 4800 | 2145 | 5294 | 5828 | 1651 | 1117 | 415 | 6 | 6 | 1100 | 1400 |
| | 3F500 | 5000 | 2210 | 5494 | 6028 | 1716 | 1182 | 415 | 3 | 6 | 950 | 1250 |

RATED CAPACITIES AND LOAD CENTERES GRAPH



RATED CAPACITIES AND LOAD CENTERES GRAPH



Option

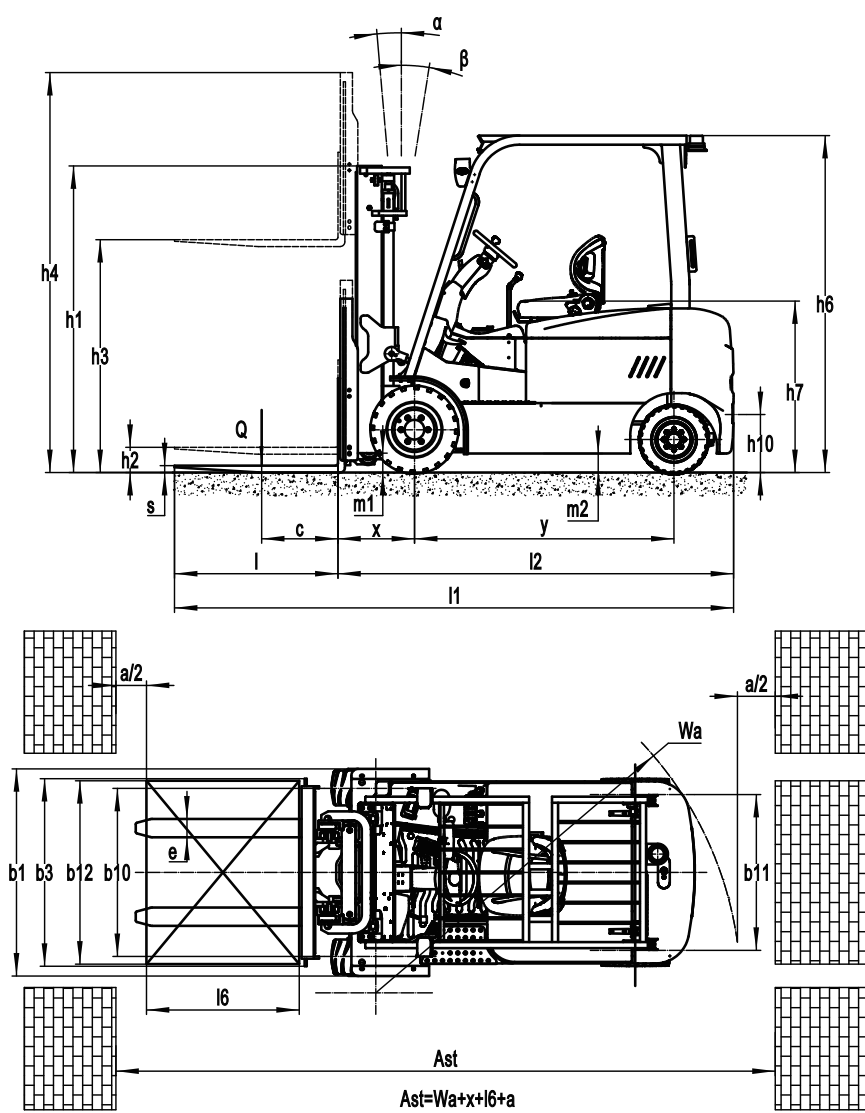
| Optional items | | CPD15L1/20L1 |
|----------------|-----------------------------|--------------|
| 3 | Fork length | ○ |
| 6 | Folding fork | ○ |
| 7 | Weighting system with fork | ○ |
| 12 | Solid rubber tire | ● |
| 13 | Environmental solid tire | ○ |
| 15 | cold storage | — |
| 19 | Battery capacity | ○ |
| 20 | Lateral change battery | ● |
| 21 | Import battery | — |
| 22 | Water auto-filling system | — |
| 30 | Side shift | ○ |
| 37 | Overhead guard | ○ |
| 39 | Mast options | ○ |
| 40 | Attachments | ○ |
| 41 | Proportional valve | — |
| 42 | Front light | ● |
| 43 | Back light | ○ |
| 46 | Warning light | ● |
| 48 | Fire extinguisher | ○ |
| 49 | Seat | ○ |
| 50 | Seat switch | ○ |
| 51 | With fan heater | — |
| 52 | With front windshield wiper | — |
| 53 | With rear windshield wiper | — |
| 54 | Cockpit | — |
| 55 | Doulbe front wheel | — |
| 56 | Rearview | ● |
| 57 | OPS system | ○ |
| 58 | Backrest width | ○ |
| 59 | Side to pull the car | ○ |
| 60 | Air fan | ○ |
| 61 | Charging voltage | ○ |
| 62 | Drive-in Rack | ○ |

Note: ● standard ○ option — NA

Electric Counterbalance Forklift Truck 3.0/3.5T CPD30/35L1

| Distinguishing mark | | | | | |
|---------------------|---|---------------------|--------|-----------------------|----------------------|
| 1.1 | Manufacturer | | | EP | EP |
| 1.2 | Model designation | | | CPD30L1 | CPD35L1 |
| 1.3 | Drive unit | | | Electrics | Electrics |
| 1.4 | Operator type | | | Seated | Seated |
| 1.5 | rated capacity | Q | t | 3 | 3.5 |
| 1.6 | Load center distance | c | mm | 500 | 500 |
| 1.8 | Load distance, centre of drive axle to fork | x | mm | 500 | 500 |
| 1.9 | Wheelbase | y | mm | 1698 | 1698 |
| Weig | | | | | |
| 2.1 | Service weight (include battery) | | kg | 4830 | 5360 |
| 2.2 | Axle loading, laden driving wheels /steering wheels | | kg | 6840/990 | 7750/1110 |
| 2.3 | Axle loading, unladen driving wheels /steering wheels | | kg | 2065/2765 | 2185/3175 |
| Types,Chassis | | | | | |
| 3.1 | Tyre type,driving wheels /steering wheels | | | Solid Rubber | Solid Rubber |
| 3.2 | Tyre size, driving wheels (diameter×width) | | mm | 23X10-12 (578X228) | 23X10-12 (578X228) |
| 3.3 | Tyre size, steering wheels (diameter×width) | | mm | 200/50-10 (453X194) | 200/50-10 (453X194) |
| 3.5 | Wheels, number driving/steering (x=drive wheels) | | mm | 2x/ 2 | 2x/ 2 |
| 3.6 | Tread, Driving wheels | b10 | mm | 1100 | 1100 |
| 3.7 | Tread, Steering wheels | b11 | mm | 1020 | 1020 |
| Dimensions | | | | | |
| 4.1 | Tilt of mast/fork carriage forward/backward | α/ β (°) | | 5/ 9 | 5/ 9 |
| 4.2 | Height, mast lowered | h1 | mm | 2210 | 2210 |
| 4.3 | Free lift (load backrest) | h2 | mm | 140 | 140 |
| 4.4 | Lift height | h3 | mm | 3000 | 3000 |
| 4.5 | Height, mast extended | h4 | mm | 4095 | 4095 |
| 4.7 | Height of overhead guard (cabin) | h6 | mm | 2210 | 2210 |
| 4.8 | Seat height | h7 | mm | 1120 | 1120 |
| 4.12 | Tow center of pin height | h10 | mm | 380 | 380 |
| 4.19 | Overall length | l1 | mm | 3640 | 3660 |
| 4.20 | Length to face of forks | l2 | mm | 2570 | 2590 |
| 4.21 | Overall width | b1/ b2 | mm | 1356 | 1356 |
| 4.22 | Fork dimensions | s/ e/ l | mm | 45×125×1070 | 50×125×1070 |
| 4.23 | Fork carriage class/type A, B | | | 3A | 3A |
| 4.24 | Fork carriage width | b3 | mm | 1228 | 1228 |
| 4.31 | Ground clearance, laden, below mast | m1 | mm | 130 | 130 |
| 4.32 | The minimum ground clearance of frame | m2 | mm | 125 | 125 |
| 4.34.1 | Aisle width for pallets 1000 × 1200 crossways | Ast | mm | 4090 | 4100 |
| 4.34.2 | Aisle width for pallets 800 × 1200 lengthways | Ast | mm | 4290 | 4300 |
| 4.35 | Turning radius | Wa | mm | 2390 | 2400 |
| Performance data | | | | | |
| 5.1 | Travel speed, laden/ unladen | | km/ h | 15/16 | 15/16 |
| 5.2 | Lifting speed, laden/ unladen | | m/ s | 0.4/0.45 | 0.4/0.45 |
| 5.3 | Lowering speed, laden/ unladen | | m/ s | 0.44/ 0.48 | 0.44/ 0.48 |
| 5.5 | Drawbar pull, laden/unladen | | N | — | — |
| 5.6 | Max. drawbar pull, laden/unladen (time) | | N | — | 17800 |
| 5.7 | Gradeability, laden/unladen | | % | — | — |
| 5.8 | Max. gradeability, laden/unladen | | % | 16/20 | 16/20 |
| 5.9 | Service brake type | | | Mechanics + Hydraulic | Mechanics+ Hydraulic |
| 5.10 | park brake type | | | Mechanics | Mechanics |
| Electric-engine | | | | | |
| 6.1 | Drive motor rating S2 60 min | | kW | 16.6 | 16.6 |
| 6.2 | Lift motor rating at S3 15% | | kW | 24 | 24 |
| 6.3 | The maximum allowed size battery | | mm | 891X550X680 | 891X550X680 |
| 6.4 | Battery voltage/nominal capacity K5 | | V/ Ah | 80V540AH | 80V540AH |
| 6.5 | Battery weight | | kg | 420 | 420 |
| Addition data | | | | | |
| 8.1 | Type of drive unit | | | AC | AC |
| 10.5 | Steering type | | | — | — |
| 10.7 | Sound pressure level at the driver's ear | | dB (A) | 70 | 70 |

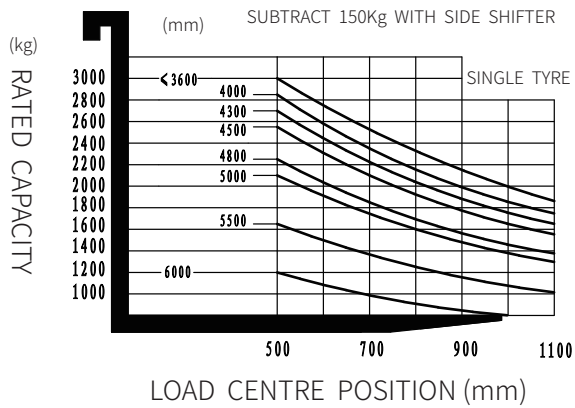
If there are improvements of technical parameters or configurations, no further notice will be given.
The diagram shown may contain non-standard configurations.



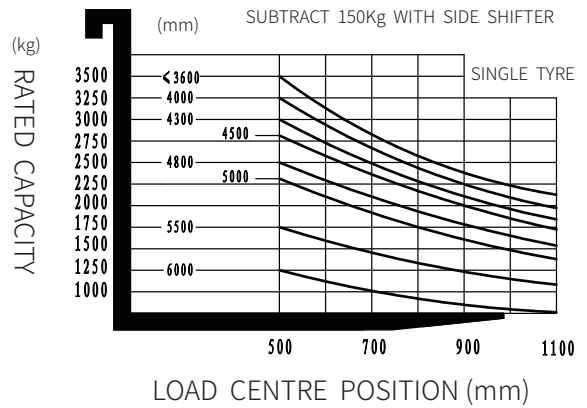
Mast Option

| Tpye | Model | Max. fork height h3 | Overall height | | | | Free lift | | Front Overhang X | | Tilt range | | Capacity | |
|------------|-------|---------------------|----------------|------------------|------------------|------------------|------------------|-----|------------------|-------|------------|-------------------------|----------|--|
| | | | Lowered h1 | Extended | | Without backrest | With backrest h2 | 3t | 3.5t | FWD α | BWD β | Load capacity at 500 mm | | |
| | | | | Without backrest | With backrest h4 | | | | | | | Single tire | | |
| | | | | | | | | | | | | 3t | 3.5t | |
| mm | mm | mm | mm | mm | mm | mm | mm | Deg | Deg | kg | kg | | | |
| Duplex ZT | 2W200 | 2000 | 1560 | 2705 | 3095 | 140 | 140 | 500 | 500 | 5 | 9 | 3000 | 3500 | |
| | 2W250 | 2500 | 1810 | 3205 | 3595 | 140 | 140 | 500 | 500 | 5 | 9 | 3000 | 3500 | |
| | 2W270 | 2700 | 1910 | 3405 | 3795 | 140 | 140 | 500 | 500 | 5 | 9 | 3000 | 3500 | |
| | 2W300 | 3000 | 2060 | 3705 | 4095 | 140 | 140 | 500 | 500 | 5 | 9 | 3000 | 3500 | |
| | 2W330 | 3300 | 2210 | 4005 | 4395 | 140 | 140 | 500 | 500 | 5 | 9 | 3000 | 3500 | |
| | 2W350 | 3500 | 2310 | 4205 | 4595 | 140 | 140 | 500 | 500 | 5 | 9 | 3000 | 3500 | |
| | 2W360 | 3600 | 2360 | 4305 | 4695 | 140 | 140 | 500 | 500 | 5 | 9 | 3000 | 3500 | |
| | 2W400 | 4000 | 2610 | 4705 | 5095 | 140 | 140 | 500 | 500 | 5 | 9 | 2850 | 3250 | |
| | 2W430 | 4300 | 2760 | 5005 | 5395 | 140 | 140 | 500 | 500 | 5 | 6 | 2700 | 3000 | |
| 2W450 | 4500 | 2860 | 5205 | 5595 | 140 | 140 | 500 | 500 | 5 | 6 | 2550 | 2850 | | |
| Duplex ZZ | 2F250 | 2500 | 1790 | 3215 | 3595 | 1075 | 695 | 500 | 500 | 5 | 9 | 3000 | 3500 | |
| | 2F270 | 2700 | 1890 | 3415 | 3795 | 1175 | 795 | 500 | 500 | 5 | 9 | 3000 | 3500 | |
| | 2F300 | 3000 | 2040 | 3715 | 4095 | 1325 | 945 | 500 | 500 | 5 | 9 | 3000 | 3500 | |
| | 2F330 | 3300 | 2190 | 4015 | 4395 | 1475 | 1095 | 500 | 500 | 5 | 9 | 3000 | 3500 | |
| | 2F360 | 3600 | 2340 | 4315 | 4695 | 1625 | 1245 | 500 | 500 | 5 | 9 | 3000 | 3000 | |
| | 2F400 | 4000 | 2440 | 4715 | 5095 | 1725 | 1345 | 500 | 500 | 5 | 9 | 2850 | 3000 | |
| Triplex DZ | 3F430 | 4300 | 2040 | 5005 | 5395 | 1335 | 945 | 515 | 515 | 5 | 6 | 2550 | 3250 | |
| | 3F450 | 4500 | 2120 | 5205 | 5595 | 1415 | 1025 | 515 | 515 | 5 | 6 | 2400 | 2850 | |
| | 3F480 | 4800 | 2225 | 5505 | 5895 | 1520 | 1130 | 515 | 515 | 5 | 6 | 2250 | 2500 | |
| | 3F500 | 5000 | 2310 | 5705 | 6095 | 1605 | 1215 | 515 | 515 | 5 | 6 | 2100 | 2300 | |
| | 3F550 | 5500 | 2560 | 6205 | 6595 | 1855 | 1465 | 515 | 515 | 3 | 6 | 1650 | 1750 | |
| | 3F600 | 6000 | 2810 | 6705 | 7095 | 2105 | 1715 | 515 | 515 | 3 | 6 | 1200 | 1250 | |

RATED CAPACITIES AND LOAD CENTERES GRAPH



RATED CAPACITIES AND LOAD CENTERES GRAPH



Option

| Optional items | | CPD30/35L1 |
|----------------|-----------------------------|------------|
| 3 | Fork length | ○ |
| 6 | Folding fork | ○ |
| 7 | Weighting system with fork | ○ |
| 12 | Solid rubber tire | ● |
| 13 | Environmental solid tire | ○ |
| 15 | cold storage | — |
| 19 | Battery capacity | ○ |
| 20 | Lateral change battery | — |
| 21 | Import battery | — |
| 22 | Water auto-filling system | — |
| 30 | Side shift | ○ |
| 37 | Overhead guard | ○ |
| 39 | Mast options | ○ |
| 40 | Attachments | ○ |
| 41 | Proportional valve | — |
| 42 | Front light | ● |
| 43 | Back light | ○ |
| 46 | Warning light | ● |
| 48 | Fire extinguisher | ○ |
| 49 | Seat | ○ |
| 50 | Seat switch | ○ |
| 51 | With fan heater | ○ |
| 52 | With front windshield wiper | ○ |
| 53 | With rear windshield wiper | ○ |
| 54 | Cockpit | ○ |
| 55 | Doulbe front wheel | — |
| 56 | Rearview | ● |
| 57 | OPS system | ○ |
| 58 | Backrest width | ○ |
| 59 | Side to pull the car | — |
| 60 | Air fan | ○ |
| 61 | Charging voltage | ○ |
| 62 | Drive-in Rack | ○ |

Note: ● standard ○ option — NA